



Installation

VK/04231

SINCE 1978

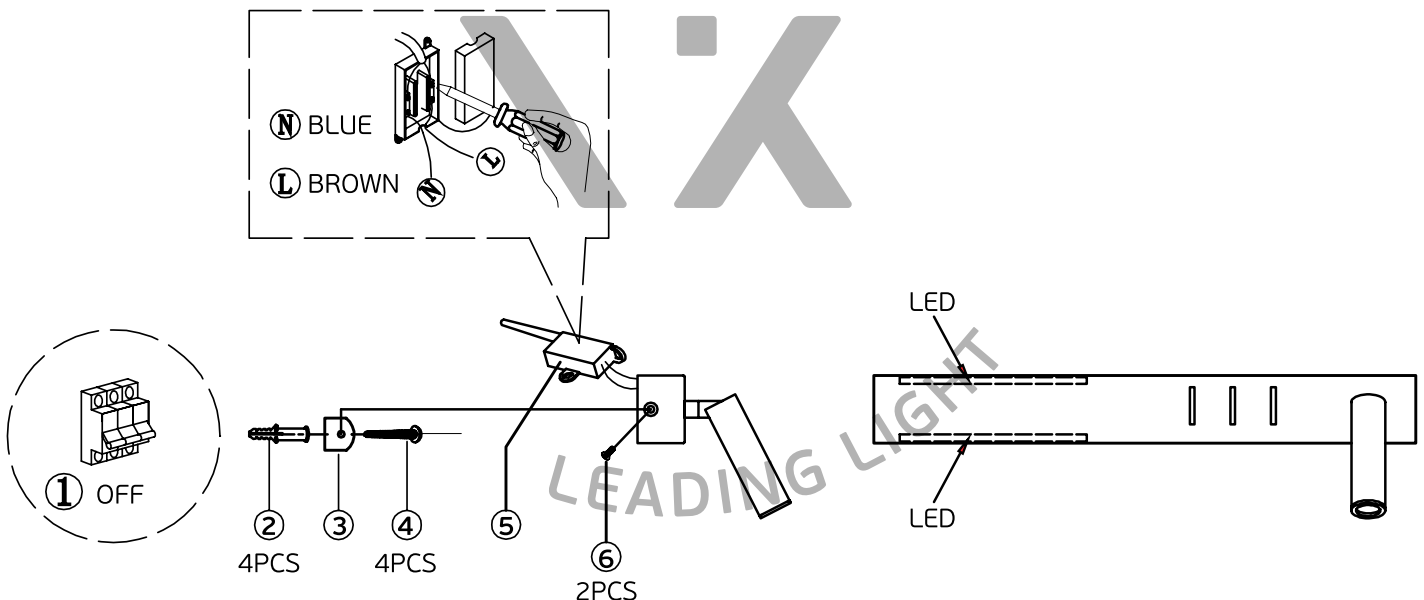


LEADING LIGHT

ATTENTION: For this operation you have to cut off the power!

1. Electrical appliances must only be connected by qualified persons.
2. Before commencing installation work disconnect the mains cable from the power supply, remove fuse or turn switch to off. The power supply connection must be done with the suitable connecting box, as seen on illustrations.
3. The lamps with index of protection (IP20) can not be used outdoor.
4. Switch on the wires of the lamp with the same color like the wires of the wall or the cell. PE or ⊕ = green/yellow=ground wire. N=blue=neutral L=brown(black)=phase.
5. Separate the wires and the connections of the heat.
6. To avoid damage to concealed wiring during installation, establish the direction of the supply cable before drilling fixing holes.
7. Keep these instructions in a safe place.
8. Use the sleeves to cover the mains supply wiring to the fitting.
9. Cleaning is limited to the outer surfaces, shades or protective glass, reflectors and covers. It is important to ensure that no moisture enters the terminal compartment or reaches any live parts!
10. Suitable for use indoors.

Caution: While the lamp is working, the surface of it is very hot, please do not touch!



VK Leading Light / Vaios I. Karakostas S.A. Imports - Exports Trade

A: 8 Aristotelous St, Tavros, 177 78 Athens, Greece **T:** +30 210 99 69 610-11, +30 210 34 58 072, +30 210 34 58 075
F: +30 210 99 58 374 **E:** info@vkleadinglight.gr **W:** vkleadinglight.gr